



## SMD Semi-Shielded Inductors - SQH6028S SERIES



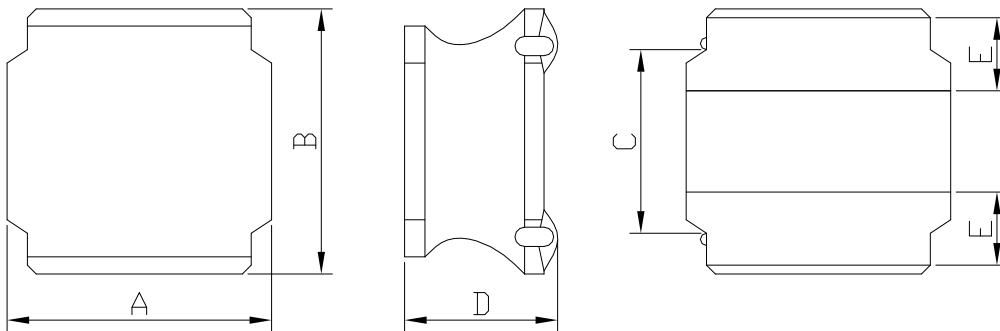
### PART NUMBERING SYSTEM

(AEC-Q200)

<b>SQH</b>	<b>6028S</b>	—	<b>330M</b>	—	<b>LF</b>
TYPE	DIMENSIONS		INDUCTANCE		LEAD FREE

### SHAPES AND DIMENSIONS

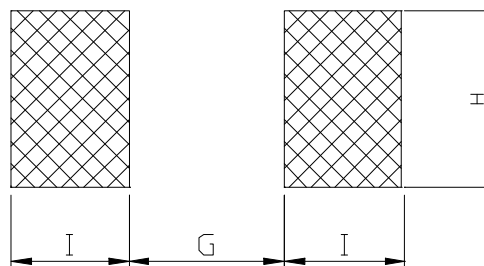
UNIT : mm



A=6.2 Max. B=6.2 Max. C=4.0 Ref. D=2.8 Max. E=1.35±0.2

### RECOMMENDED PATTERNS

UNIT : mm



G= 3.10 H= 5.70 I = 1.60

### FEATURES

- \* Low profile and small inductors ( 6.2mm Max. square and 2.8mm Max. height )
- \* Magnetically shielded construction and high current
- \* Ideal for DC-DC converter choke coil for portable equipments ( DVDs , DSC , Cellular , PDAs )
- \* RoHS compliant option with lead free



## SMD Semi-Shielded Inductors - SQH6028S SERIES



### SPECIFICATION TABLE

(AEC-Q200)

PART NUMBER	INDUCTANCE (μH)	DCR (mΩ) (Max.)	Isat (A) (Max.)	Irms (mA) (Max.)	TEST FREQ. (Freq.)
SQH6028S-0R9N-LF	0.9±30%	16.9	6.60	4.60	100KHz
SQH6028S-1R5N-LF	1.5±30%	20.8	5.00	4.20	100KHz
SQH6028S-2R2M-LF	2.2±30%	26.0	4.20	3.70	100KHz
SQH6028S-3R0M-LF	3.0±30%	29.9	3.60	3.40	100KHz
SQH6028S-4R7M-LF	4.7±20%	40.3	2.70	3.00	100KHz
SQH6028S-6R0M-LF	6.0±20%	52.0	2.50	2.50	100KHz
SQH6028S-100M-LF	10±20%	84.5	1.90	1.90	100KHz
SQH6028S-150M-LF	15±20%	123.5	1.60	1.80	100KHz
SQH6028S-220M-LF	22±20%	175.5	1.30	1.40	100KHz
SQH6028S-330M-LF	33±20%	286.0	1.10	1.10	100KHz
SQH6028S-470M-LF	47±20%	390.0	0.95	0.92	100KHz
SQH6028S-680M-LF	68±20%	546.0	0.76	0.77	100KHz
SQH6028S-101M-LF	100±20%	780.0	0.62	0.66	100KHz

- Isat : DC current at which the inductance drops 30%(typ) from its value without current.
- Irms : The temperature rise current value is the DC current value having temperature increase up 40°C temperature rise from 25°C ambient.
- Operating temperature range -40°C to +125°C , Electrical specifications at 25°C .

